

# Innocenti Lambretta



## Crankcase, Cylinder Parts list

*This catalogue was compiled on: 19th Mar 2007, Please check our website for any price changes since that time...*

---

**Section**

Crankcase, Cylinder

**Page No**

2

**Contact details:**

For up to date information and a searchable parts list please visit our web site at:

<http://www.innocentis.co.uk>

You can email us on: [info@innocentis.co.uk](mailto:info@innocentis.co.uk)

You can write to us at:

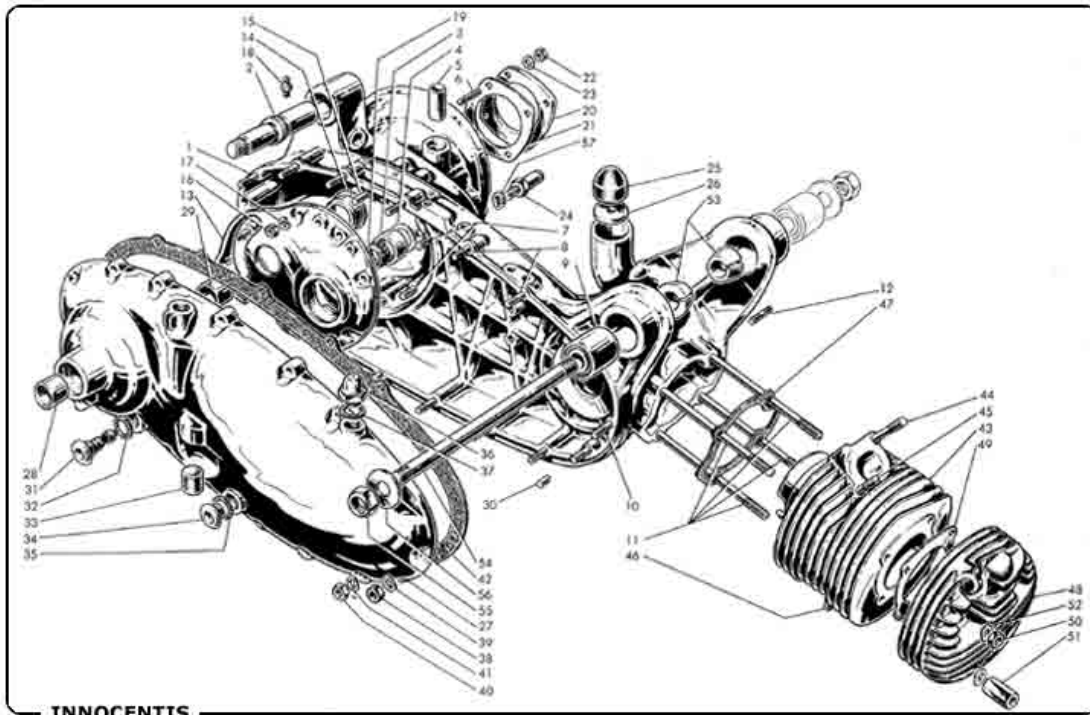
**Innocenti Ltd  
The Lodge, 54 White Street  
Martham, Norfolk  
United Kingdom  
NR29 4PQ**

Telephone: **+44 (0)1493 740658**

Please feel free to contact us if you have any queries, or would like to place an order.

Our hours of business are:

Mon - Fri 0900 - 1700  
Sat 0900 - 1300



1-2	Shock Absorber Shaft	£7.00	1-41a	Chaincase Washer	£0.10
1-3	Gear Cluster Bush	£3.50	1-42	Chaincase Gasket	£2.50
1-4	Gear Cluster Shim	£0.70	1-44	Inlet Stud, Long 125,150,175,185cc	£0.60
1-5	Gear Selector Bush	£3.50	1-44a	Inlet Stud Long 200cc	£0.65
1-6	Final Drive Stud	£0.45	1-45	Inlet Stud, Short	£0.60
1-7	Gear Flange Stud	£0.45	1-46	Exhaust Stud	£0.80
1-8b	Chaincase/Tailpipe Stud	£0.65	1-47	125,150,175,185cc Cylinder Base Gasket	£0.75
1-8	Chaincase Stud	£0.60	1-47a	200,225cc Cylinder Base Gasket	£0.75
1-8a	Chaincase Stud Stainless Steel	£0.95	1-48	150cc Cylinder Head (Italian)	£29.95
1-9a	LI Silentblock Bush	£8.00	1-48b	200cc Cylinder Head (Italian)	£32.95
1-10	Silencer Stud	£0.60	1-48c	225cc Cylinder Head	£32.95
1-12	Magneto Flange Stud	£0.45	1-49	125cc Cylinder Head Gasket (0.5mm)	£1.25
1-13	GP Gearbox End Plate	£18.00	1-49a	150cc Cylinder Head Gasket (0.5mm)	£1.25
1-14	Bush, Drive Shaft	£7.00	1-49b	150cc Cylinder Head Gasket (1.0mm)	£1.25
1-15	Dowel (End Plate)	£0.60	1-49c	175cc Cylinder Head Gasket (0.5mm)	£1.25
1-16	7mm Nut (End Plate)	£0.20	1-49d	175cc Cylinder Head Gasket (1.0mm)	£1.25
1-17	7mm Spring Washer (End Plate)	£0.15	1-49e	186cc Cylinder Head Gasket (0.5mm)	£1.25
1-19	Cluster Needle Cage	£7.50	1-49f	186cc Cylinder Head Gasket (1.0mm)	£1.25
1-24a	GP Brake Shoes Pivot Pin	£2.50	1-49g	200cc Cylinder Head Gasket (0.5mm)	£1.25
1-26	Engine Buffer Washer	£1.25	1-49h	200cc Cylinder Head Gasket (2.0mm)	£1.50
1-28	Kick Start Bush (Outer)	£2.50	1-49i	225cc Cylinder Head Gasket (0.5mm)	£1.25
1-29	LI/SX Kick Start Bush (Inner)	£2.50	1-49j	225cc Cylinder head gasket (1.5mm)	£1.50
1-29a	GP Kick Start Bush (Inner)	£2.50	1-50	Cylinder Assy Nut	£0.25
1-30	Crankcase Cover Dowel	£0.60	1-51	Cylinder Assy Distance Nut	£1.25
1-31	Drain Plug	£3.95	1-52	Spring Washer 8mm	£0.10
1-32	Plug Fibre Washer	£0.25	1-53	Engine Mounting Cone	£3.50
1-33	Kick Start Buffer	£1.70	1-54a	Short Engine Mounting Spindle (Stainless Steel)	£6.50
1-34	Oil Level Plug	£2.95	1-55	Engine Mounting Nut With White Insert	£3.50
1-36	Chaincase Breather	£3.00	1-56	Engine Mounting Washer	£0.40
1-38	8mm Silencer Nut	£0.25	1-57	Brake Pivot Washer	£0.15
1-39	8mm Silencer Spring Washer	£0.10	1-58c	200cc Gasket Set	£5.30
1-40	Chaincase Nut	£0.20	1-58d	225cc Gasket Set	£5.95
1-40a	Chaincase Nut	£0.25	1-59	Chaincase Stud, Nut & Washer Set	£9.80
1-41	Chaincase Washer	£0.05			