

# Innocenti Lambretta



## Gearbox, Kickstart Parts list

*This catalogue was compiled on: 19th Mar 2007, Please check our website for any price changes since that time...*

---

**Section**

Gearbox, Kickstart

**Page No**

2

**Contact details:**

For up to date information and a searchable parts list please visit our web site at:

<http://www.innocentis.co.uk>

You can email us on: [info@innocentis.co.uk](mailto:info@innocentis.co.uk)

You can write to us at:

**Innocenti Ltd**  
**The Lodge, 54 White Street**  
**Martham, Norfolk**  
**United Kingdom**  
**NR29 4PQ**

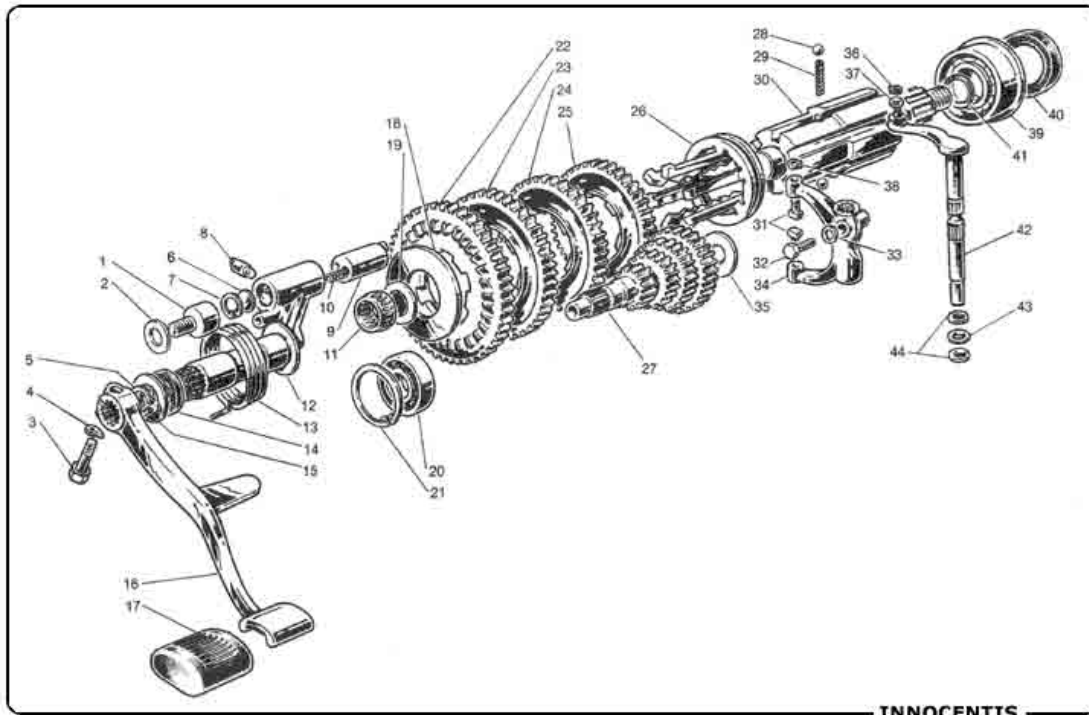
Telephone: **+44 (0)1493 740658**

Please feel free to contact us if you have any queries, or would like to place an order.

Our hours of business are:

Mon - Fri 0900 - 1700

Sat 0900 - 1300



4-1	Kick Start Stop Plastic Bush	£1.25	4-29	Selector Spring	£0.70
4-2	Kick Start Stop Washer	£0.30	4-30	Layshaft	£36.00
4-3	Kick Start Lever Bolt (Short)	£0.25	4-30a	Layshaft Italian	£44.95
4-3a	Kick Start Lever Bolt (Long) & Nut Stainless Steel	£1.25	4-31	Selector Pin (Innocenti)	£1.85
4-4	Kick Start Lever Washer	£0.15	4-32	Locking Bolt	£0.25
4-5	Kick Start Shaft Circlip	£0.40	4-33	Spring Washer	£0.10
4-6	Kick Start Piston Disc	£0.75	4-34	Gear Selector	£18.50
4-7	Kick Start Piston Circlip	£0.40	4-35	Cluster Thrust Washer (Innocenti)	£0.95
4-8	Kick Start Piston Return Pin	£3.00	4-36	Selector Arm Circlip	£0.15
4-10	Kick Start Piston Spring	£0.65	4-38	Gear Selector Pin Circlip	£0.15
4-11	Layshaft Inner Race Bearing	£6.00	4-39	Final Drive Bearing (Italian)	£30.00
4-17c	Kick Start Lever Rubber (Red)	£4.50	4-40	Final Drive Oil Seal (Rolf)	£2.50
4-19	Small Gears Shim	£0.50	4-41	Layshaft Seal Ring	£0.70
4-21	Gear Cluster Bearing Circlip	£0.95	4-42	GP Gear Selector Shaft	£15.00
4-22	GP200 1st Gear (Indian)	£25.00	4-42a	LI/SX Gear Selector Shaft	£6.50
4-23	GP200 2nd Gear (Indian)	£20.00	4-43	Gear Selector Shaft O-Ring	£0.40
4-24	GP200 3rd Gear (Indian)	£20.00	4-44	Washer	£0.20
4-25a	GP150 4th Gear (Indian)	£20.00	4-45	Kickstart Stop Screw	£0.75
4-25b	GP200 4th Gear (Indian)	£20.00	4-49	LI/SX Gear Selector Shaft Circlip	£0.20
4-26	Gear Selector Sliding Dog	£27.00	4-54a	Rock Oil PP2 2-Stroke Oil (1ltr)	£5.45
4-26a	Gear Selector Sliding Dog (Italian)	£49.50	4-54b	Rock Oil Racing Synthesis 2 (1 ltr)	£10.95
4-27	SX150 Mainshaft Cluster (Innocenti)	£35.00	4-55	Putoline TT Synthetic 2 Stroke Oil (1ltr)	£4.95
4-27a	GP150 Main Cluster	£35.00	4-55c	Gear Oil (SAE 90W) 0.5 ltr	£2.25
4-27b	GP200 Main Cluster (Indian)	£35.00	4-57	LI/SX Kickstart Piston Return Plate & Bolts	£6.50
4-28	Selector Ball	£0.50			